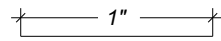
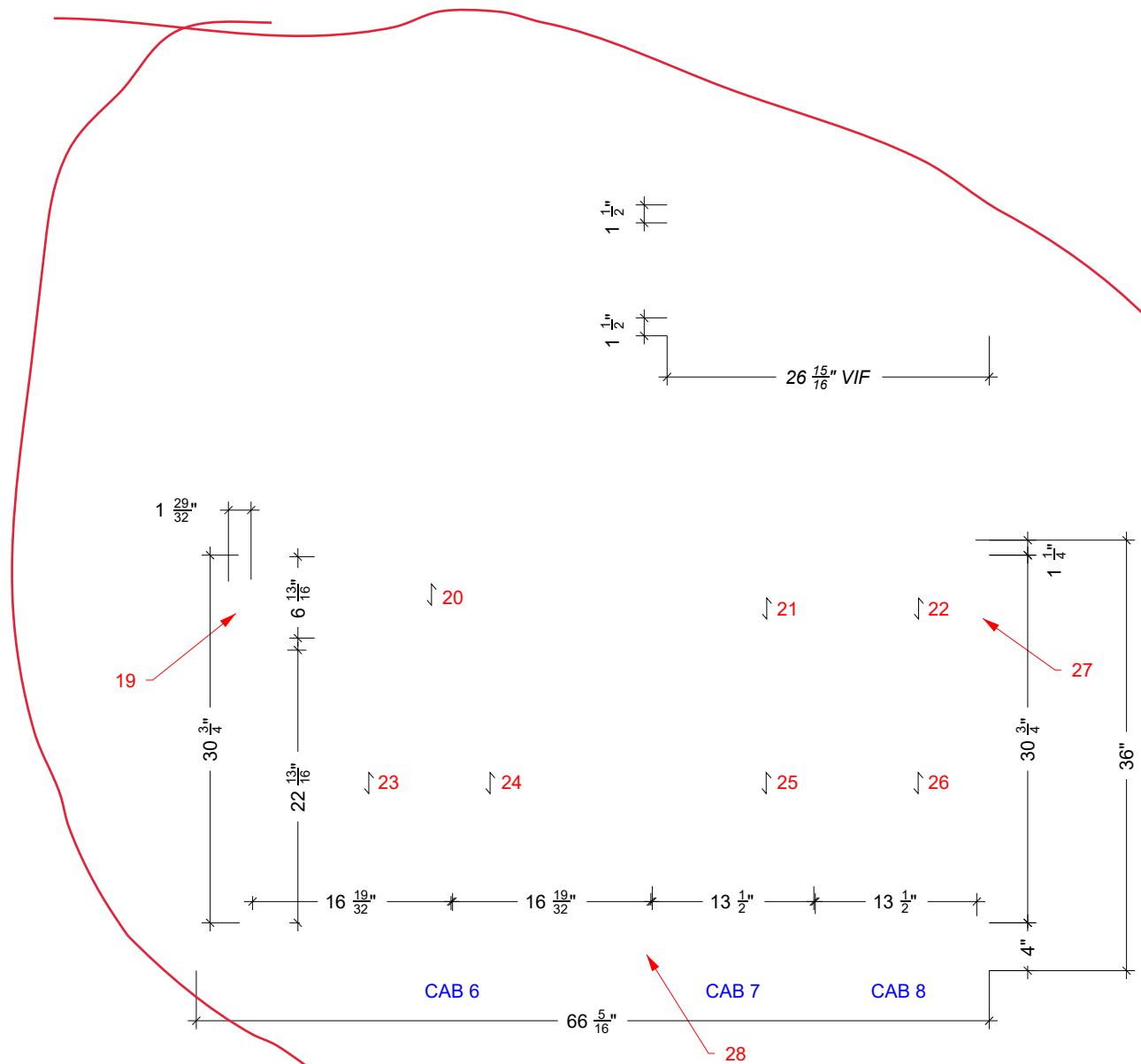


1

LOWER CABS  
NOT TO SCALE

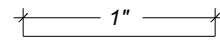


Missing Model

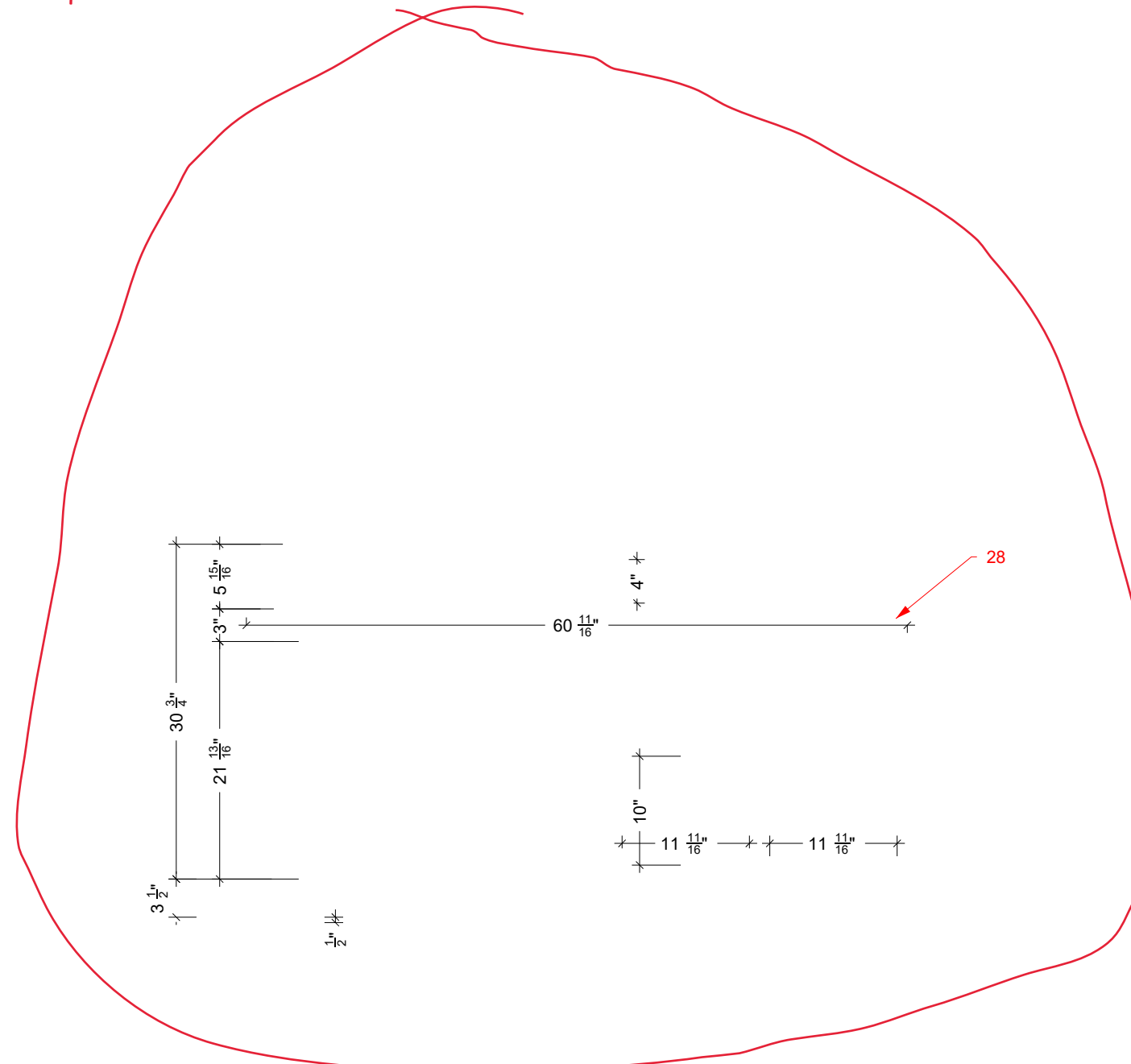


2

REFRIGERATOR WALL: INTERIORS  
NOT TO SCALE



Missing Model



ROWAN WOODWORK

40 CLARENDON AVE  
KINGSTON, NEW YORK 12401  
845.481.4067  
INFO@ROWANWOODWORK.COM  
WWW.ROWANWOODWORK.COM

DESIGNER: ROWAN WOODWORK  
DRAFTING BY: ROWAN WOODWORK  
FOR PRODUCTION: YES  
APPROVED ON: 1.15.21  
APPROVED BY: CLIENT

REVISIONS	REV #	DATE	DESCRIPTION

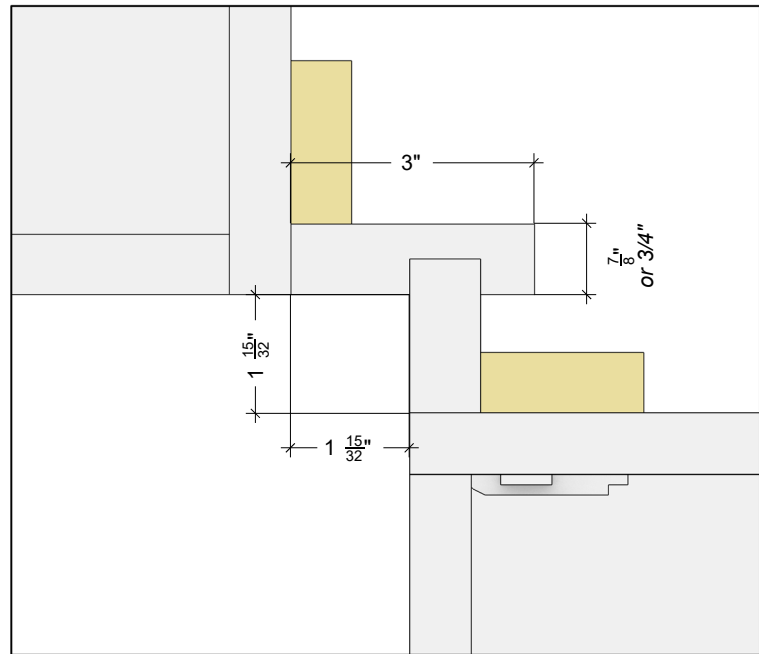
LEGEND	DESCRIPTION
	BASES
	TOE KICKS, SCRIBES
	BLOCKING
	FINISH PANELS
	GRAIN DIRECTION FINISH PARTS

BLUE GARDINIA KITCHENETTE

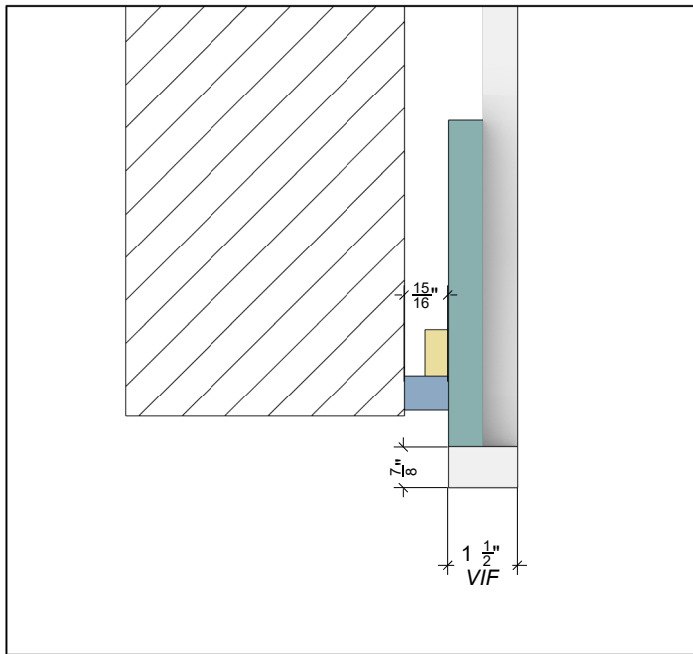
ELEVATIONS: SINK WALL

R-2.1

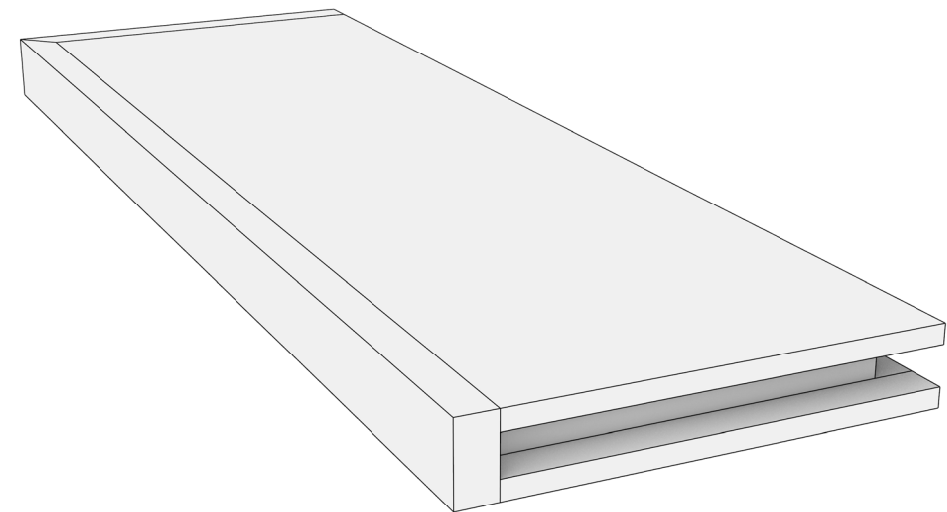
**1 CORNER DETAIL: PLAN** NOT TO SCALE



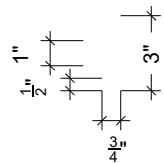
**2 FACEFRAME & SCRIBE DETAIL: @ REFRIGERATOR BOX, PLAN** NOT TO SCALE



**3 FLOATING SHELVES DETAIL** NOT TO SCALE

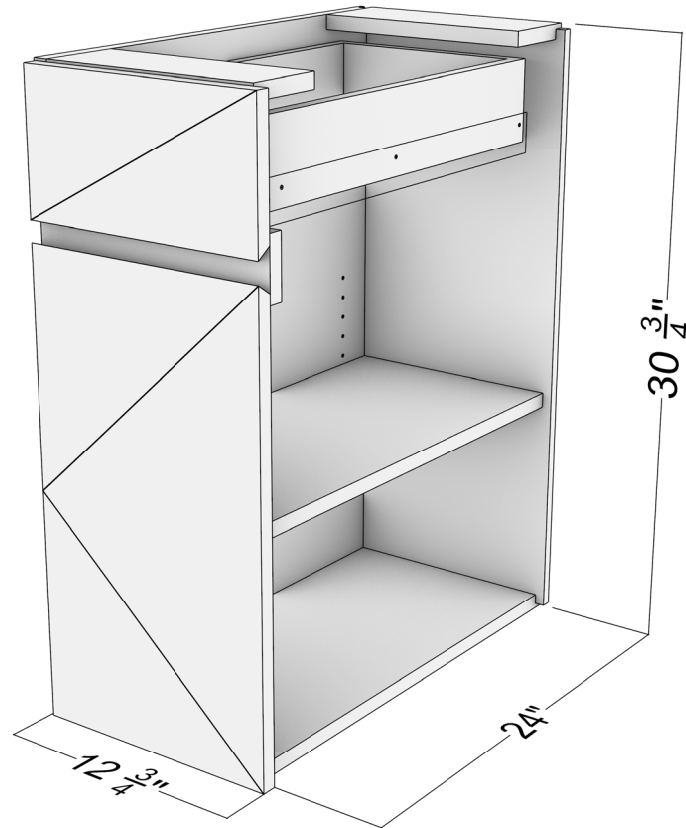


**4 PULL DETAIL: PROFILE** NOT TO SCALE

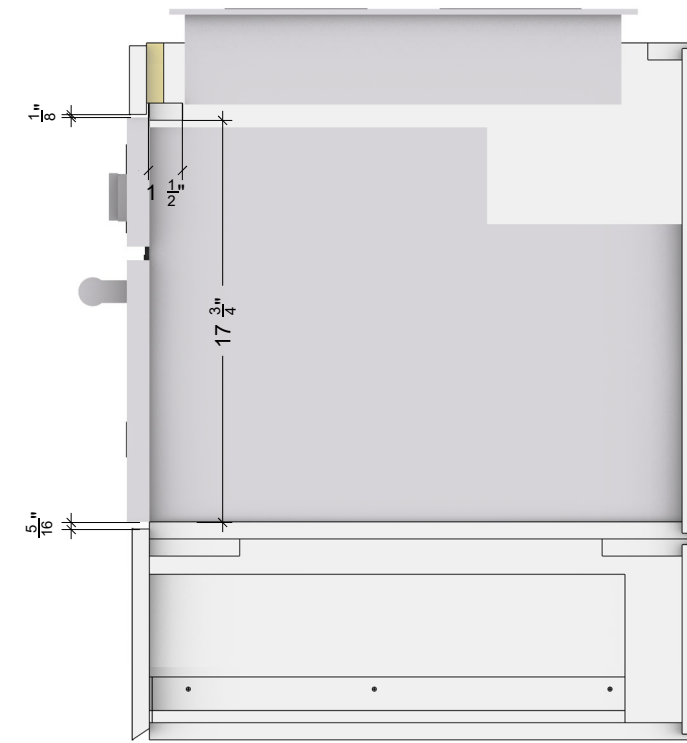


*Missing Model*

**5 PULL DETAIL: 3D** NOT TO SCALE



**6 CAB 3, 4: SECTION** NOT TO SCALE



**ROWAN**  
WOODWORK

40 CLARENDON AVE  
KINGSTON, NEW YORK 12401  
845.481.4067  
INFO@ROWANWOODWORK.COM  
WWW.ROWANWOODWORK.COM

DESIGNER: ROWAN WOODWORK  
DRAFTING BY: ROWAN WOODWORK  
FOR PRODUCTION: YES  
APPROVED ON: 1.15.21  
APPROVED BY: CLIENT

REVISIONS REV # "DATE": "DESCRIPTION"

LEGEND

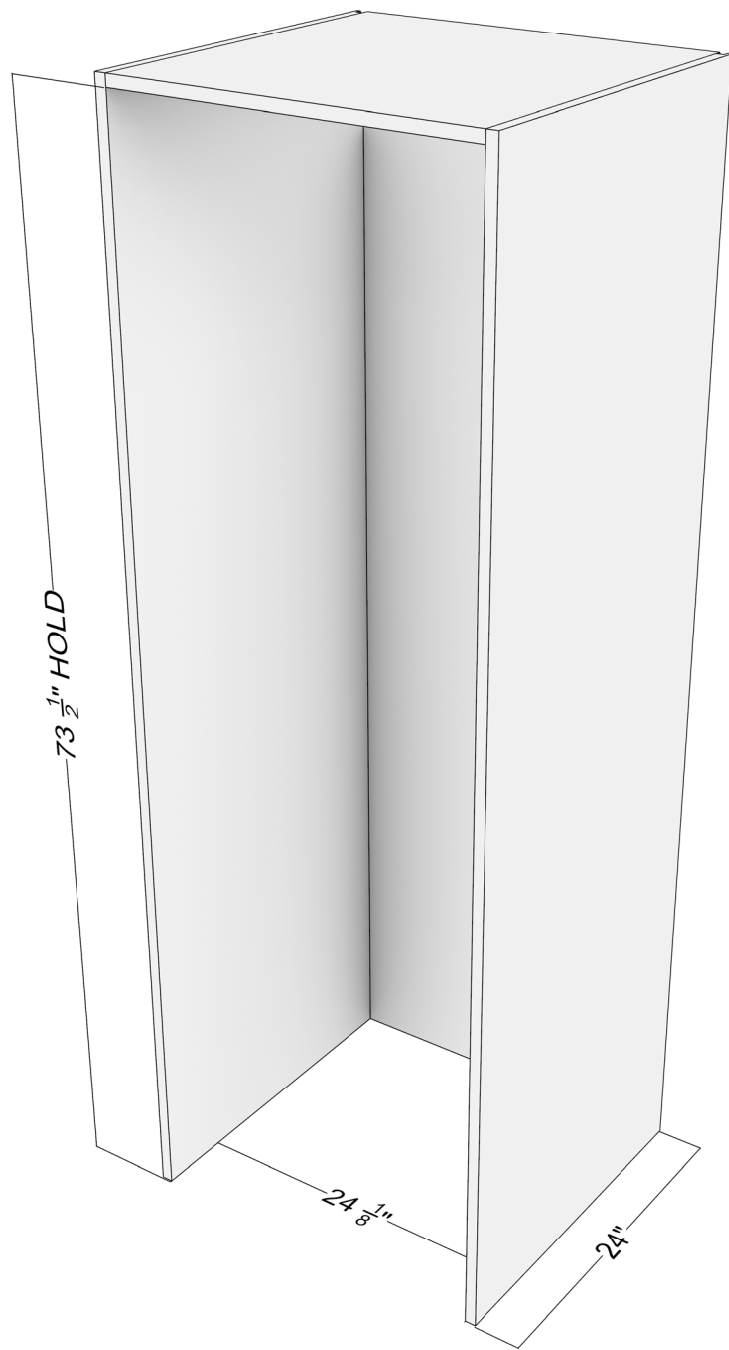
- BASES
- TOE KICKS, SCRIBES
- BLOCKING
- FINISH PANELS

← GRAIN DIRECTION  
# FINISH PARTS

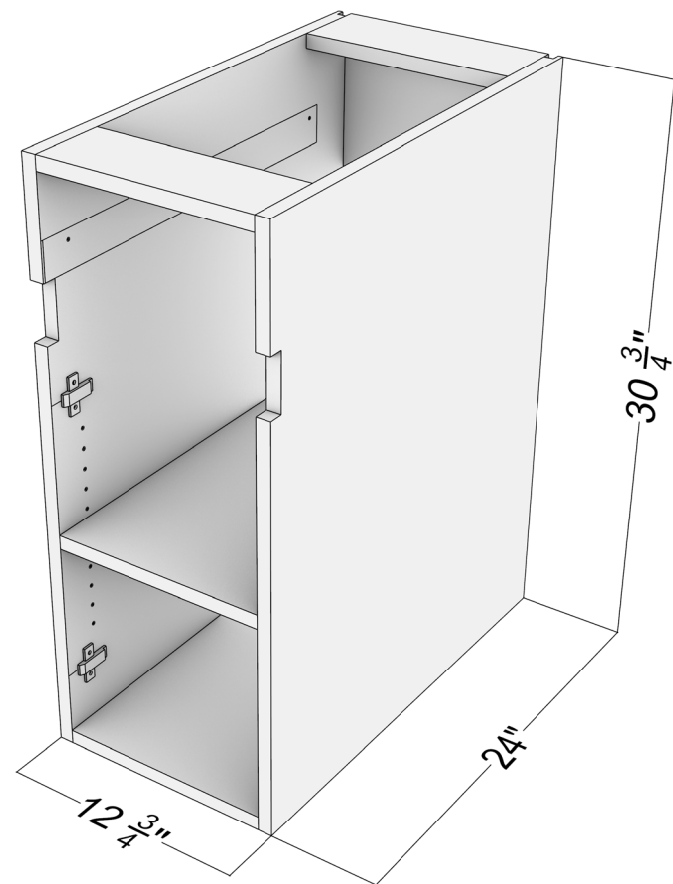
**BLUE GARDINIA**  
**KITCHENETTE**

DETAILS  
**R-3.0**

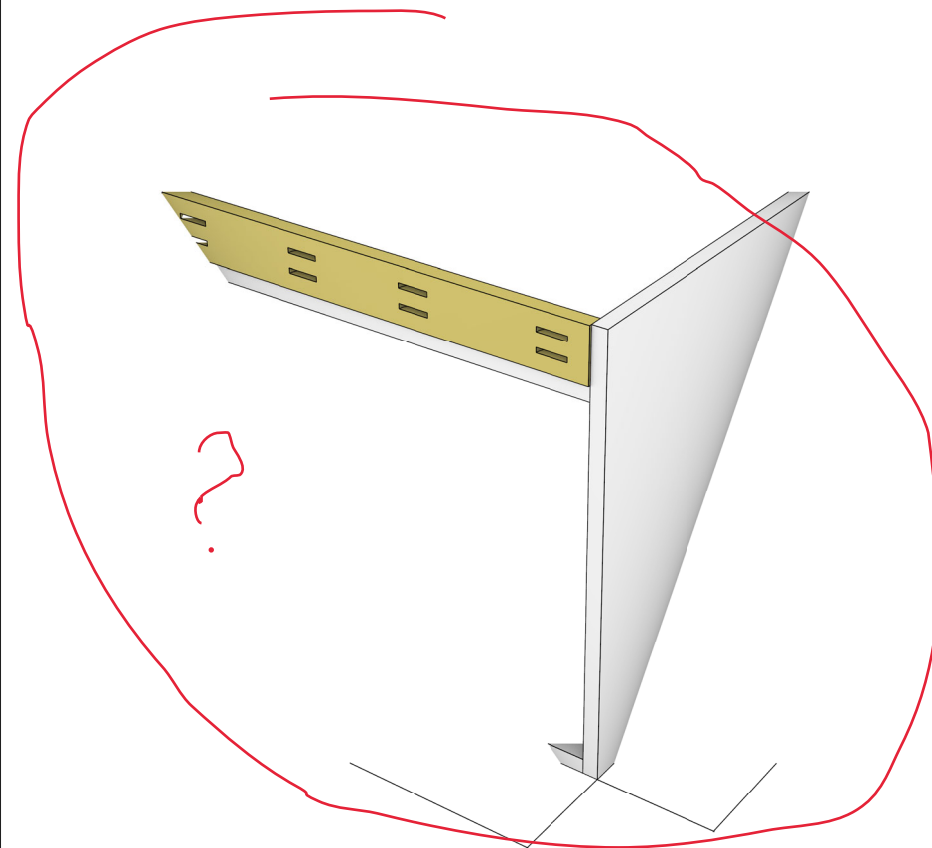
CAB 1



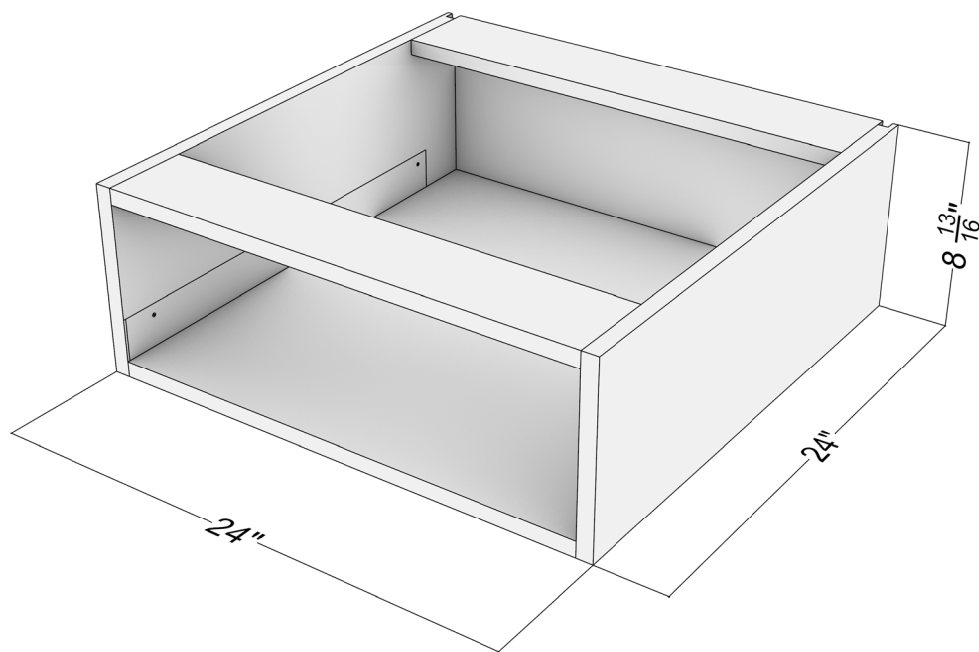
CAB 2, 5



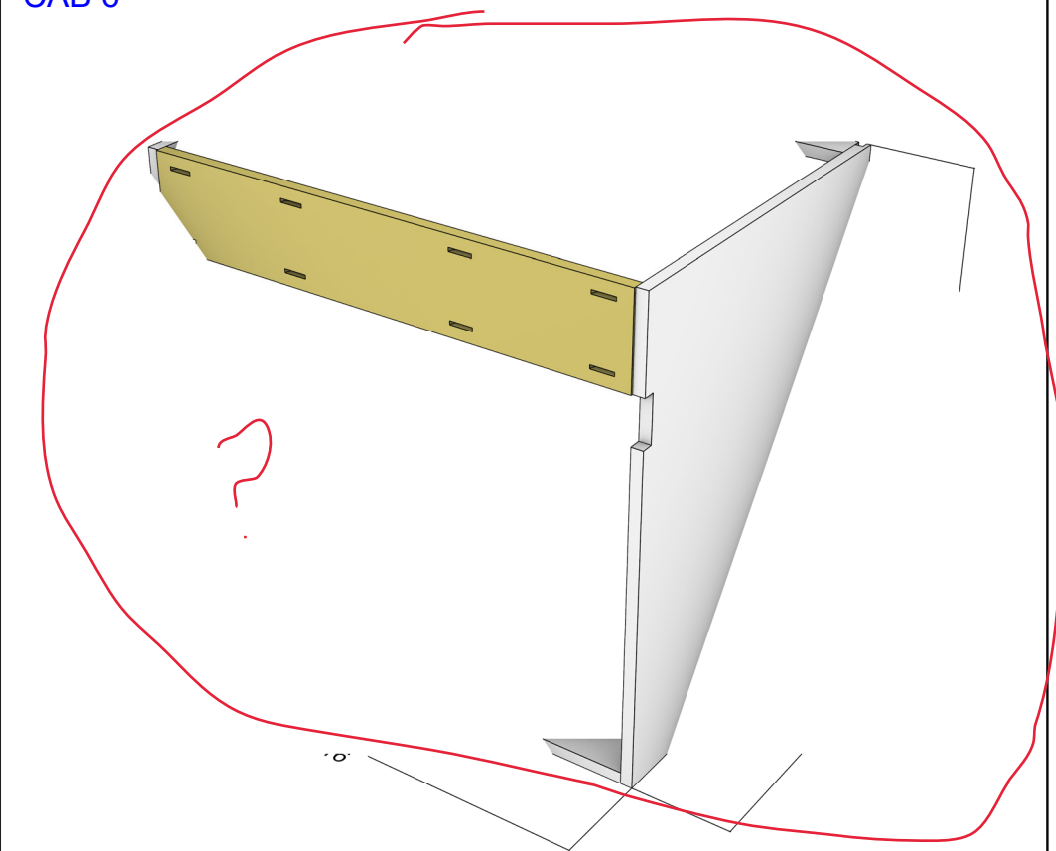
CAB 3



CAB 4



CAB 6



**ROWAN**  
WOODWORK

40 CLARENDON AVE  
KINGSTON, NEW YORK 12401  
845.481.4067  
INFO@ROWANWOODWORK.COM  
WWW.ROWANWOODWORK.COM

DESIGNER: ROWAN WOODWORK  
DRAFTING BY: ROWAN WOODWORK  
FOR PRODUCTION: YES  
APPROVED ON: 1.15.21  
APPROVED BY: CLIENT

REVISIONS  
REV # "DATE": "DESCRIPTION"

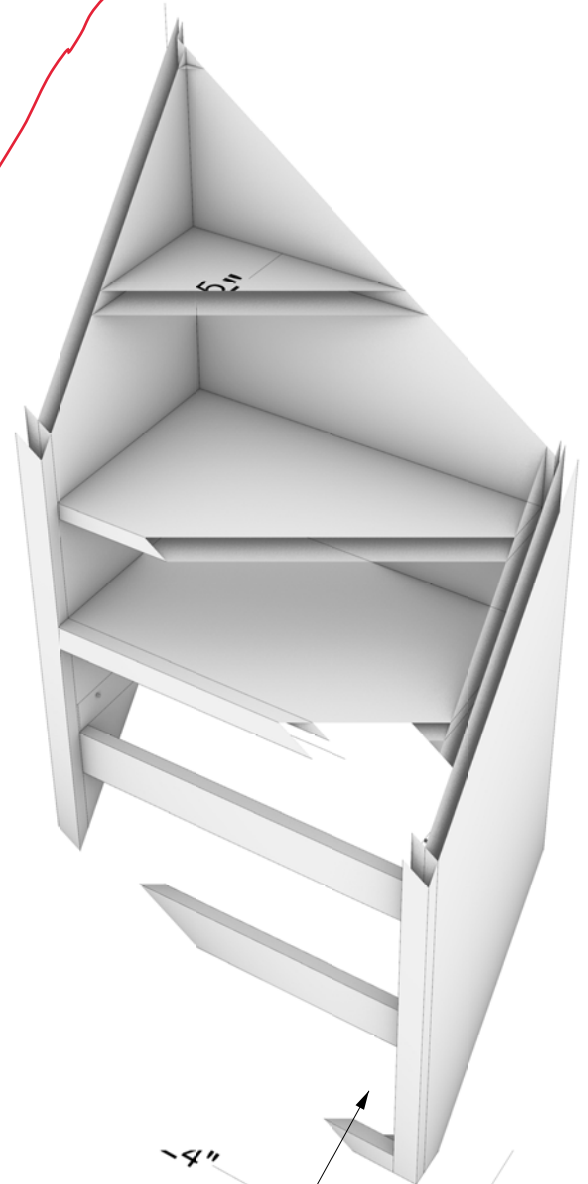
LEGEND  
 BASES  
 TOE KICKS, SCRIBES  
 BLOCKING  
 FINISH PANELS  
 GRAIN DIRECTION  
 FINISH PARTS

**BLUE GARDINIA  
KITCHENETTE**

CARACASSES  
**R-4.0**

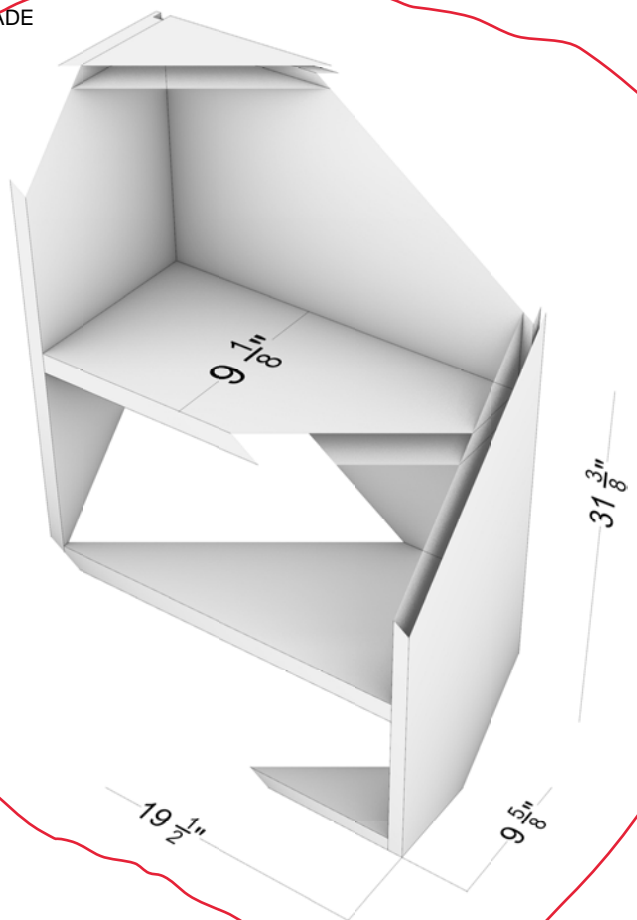
CAB 1

WALNUT MATERIAL



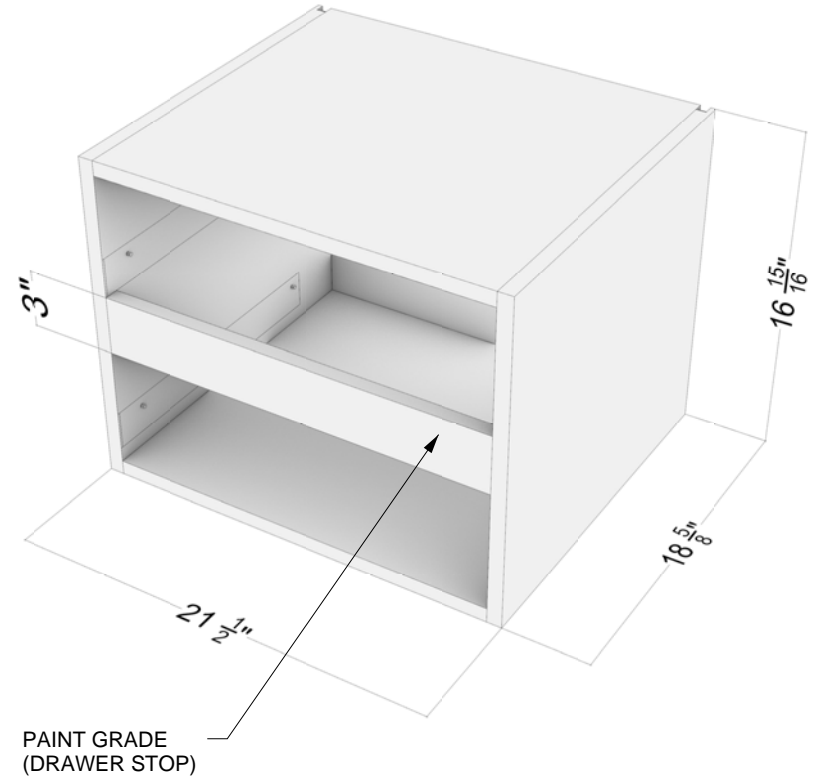
CAB 3, 4

PAINT GRADE



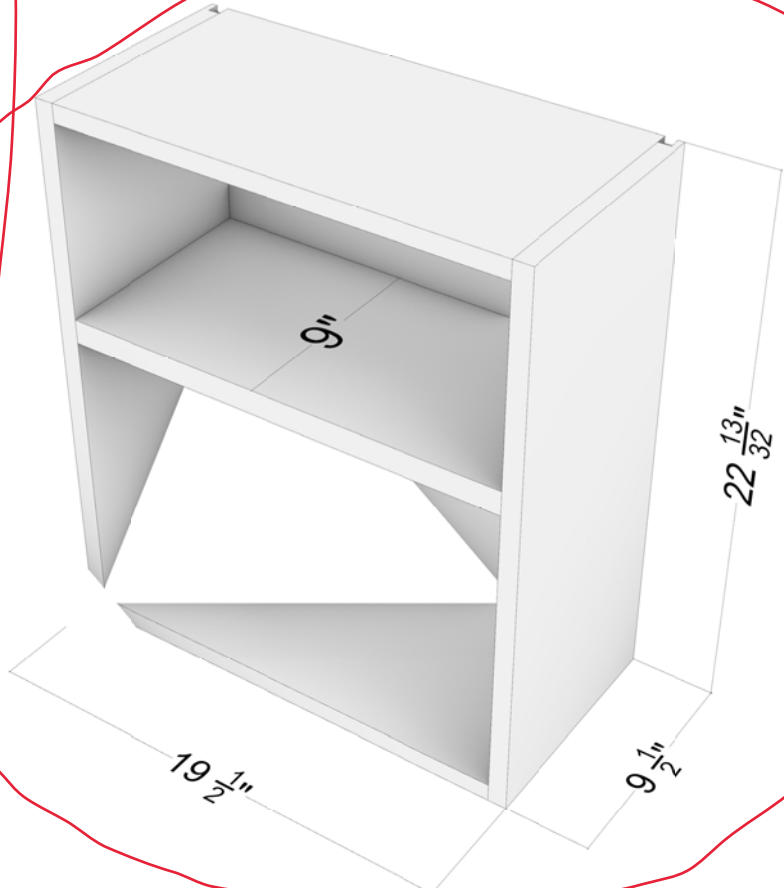
CAB 5

PRE FIN MAPLE



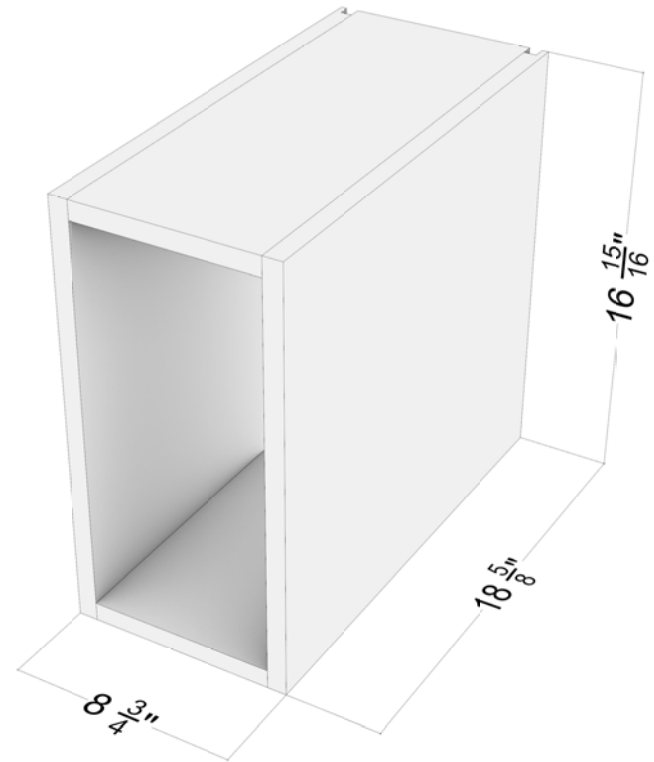
CAB 6, 7

PAINT GRADE



CAB 8, 9

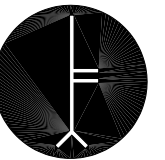
PAINT GRADE



NOTES:

- GRAIN DIRECTION
- ## FF FACE FRAME
- ## FP FINISH PANEL
- ## TK TOE KICK
- ## DRAWER/DOOR FACES
- BLOCKING, SPACERS, STUDS, BACKERS, ETC
- FINISH PANELS

MILLWORK CONTRACTOR:



ROWAN WOODWORK

40 CLARENDON AVE  
KINGSTON, NY 12401

DESIGNER:

TEAM EFFORT

DRAFTING BY:

ROWAN

REVISION #

DATE

APPROVED BY:

"NAME"

DATE

###/###/##

PROJECT:

91 DAWSON RD

CARACASSES

R-4.0